

Ce plan est la propriété exclusive de la société NICOMATIC. Il ne peut être reproduit sans son autorisation. Loi du 11.03.1902.
 This document and drawings, sketches, and schematic drawings are the property of the NICOMATIC company.
 and no parts thereof may be reproduced and used without the written consent of the owner. Law dated 11.03.1902

TECHNICAL DATA



INSULATOR MATERIAL:
 See table => m code

PIN MATERIAL:
 Copper alloy

PIN PLATING:
 See table => zM code

MECHANICAL SPECIFICATIONS

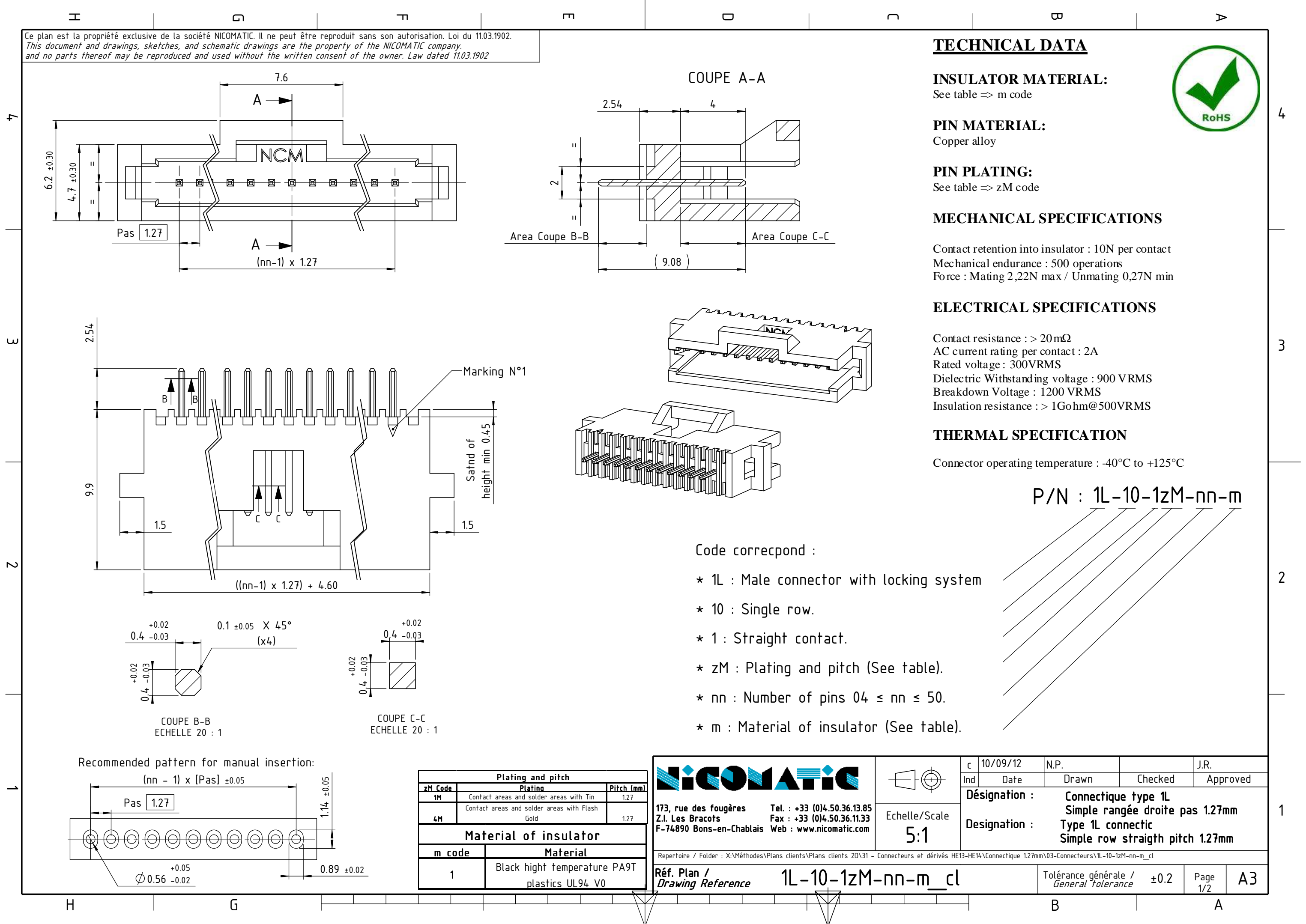
Contact retention into insulator : 10N per contact
 Mechanical endurance : 500 operations
 Force : Mating 2,22N max / Unmating 0,27N min

ELECTRICAL SPECIFICATIONS

Contact resistance : > 20 mΩ
 AC current rating per contact : 2A
 Rated voltage : 300VRMS
 Dielectric Withstanding voltage : 900 VRMS
 Breakdown Voltage : 1200 VRMS
 Insulation resistance : > 1Gohm@500VRMS

THERMAL SPECIFICATION

Connector operating temperature : -40°C to +125°C

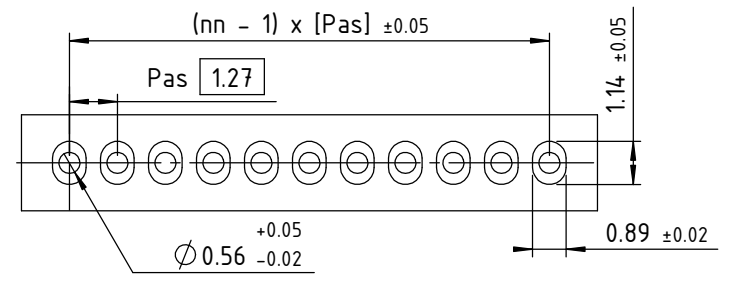


P/N : 1L-10-1zM-nn-m

Code correspond :

- * 1L : Male connector with locking system
- * 10 : Single row.
- * 1 : Straight contact.
- * zM : Plating and pitch (See table).
- * nn : Number of pins 04 ≤ nn ≤ 50.
- * m : Material of insulator (See table).

Recommended pattern for manual insertion:



Plating and pitch	
zM Code	Pitch (mm)
1M	127
4M	127
Material of insulator	
m code	Material
1	Black high temperature PA9T plastics UL94 V0

NICOMATIC
 173, rue des fougères Z.I. Les Bracots F-74890 Bons-en-Chablais
 Tel. : +33 (0)4.50.36.13.85 Fax : +33 (0)4.50.36.11.33 Web : www.nicomatic.com

Echelle/Scale 5:1

Repertoire / Folder : X:\Méthodes\Plans clients\Plans clients 2D\31 - Connecteurs et dérivés HE13-HE14\Connectique 1.27mm\03-Connecteurs\1L-10-1zM-nn-m_cl

Réf. Plan / Drawing Reference 1L-10-1zM-nn-m_cl

c	10/09/12	N.P.	J.R.
Ind	Date	Drawn	Checked
Désignation :		Connectique type 1L	
Designation :		Simple rangée droite pas 1.27mm	
		Type 1L connectic	
		Simple row straight pitch 1.27mm	
Tolérance générale / General tolerance		±0.2	Page 1/2
			A3