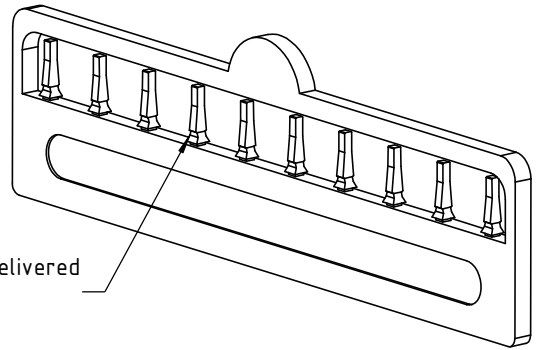


Material

- Thermoplastic filled with glass fiber
- Classified UL 94 V0

Ordering information :

- YY = 10 or 101
- PHK-10 (Black)
- PHK-101 (White)



The Polarisation keys are delivered in a set of 10 parts

Marking as referenced in the CMM catalogue pages 12 & 13

 www.nicomatic.com Mail : nicomatic@nicomatic.fr Tel : +33 (0)4.50.36.13.85	2	02/04/09	H.L.	E.M.	D.Z.
	Iss	Date	Drawn	Checked	Approved
Item : Polarization keys					
Folder : X:\Méthodes\01 - Crimpflex\03 - Boîtiers 2.54mm\PHK\PHK-101					

This document and drawings, sketches, and schematic drawings are the property of the NICOMATIC company, and no parts thereof may be reproduced and used without the written consent of the owner. Law dated 11.03.1902

Catalogue Reference : PHK-YY

	General tolerance ±0.2	Scale 2:1	Page 1/1
--	------------------------	-----------	----------

A4