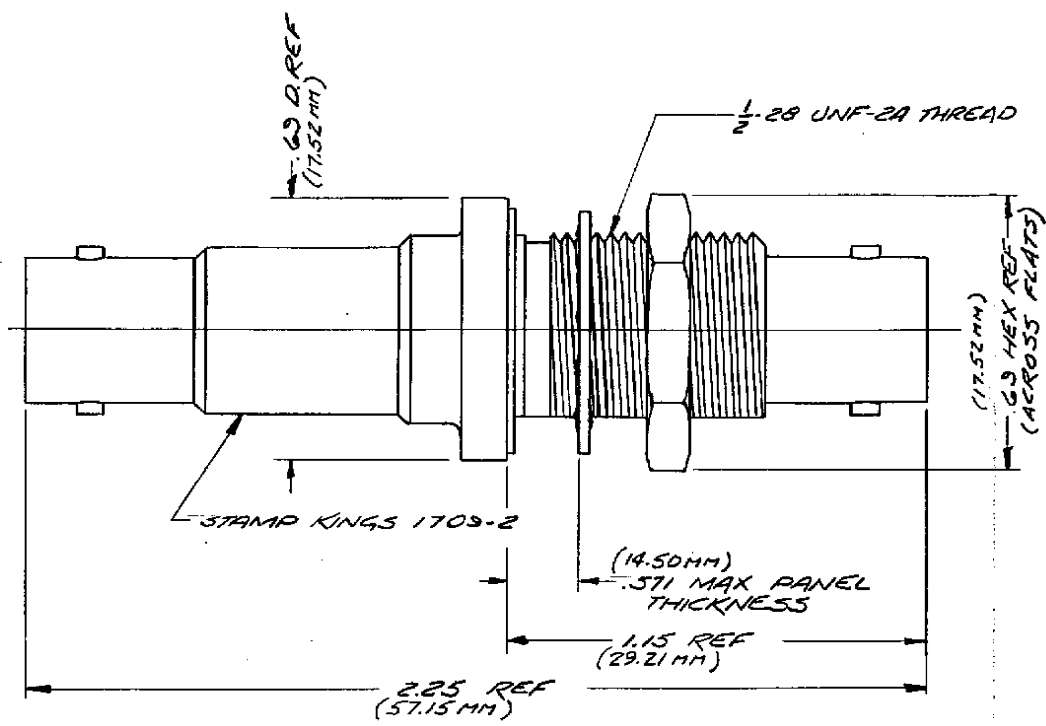


DASH NO.	DESCRIPTION	MADE FROM
----------	-------------	-----------

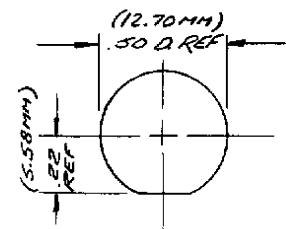
1709-2

REVISIONS	
ISSUE	CHANGES
3	CN 25258 C GL 8 NOV 83



NOTES:

- MATERIALS:
BRASS, QQ-B-626
BERYLLIUM COPPER, QQ-C-530
PHOSPHOR BRONZE, QQ-B-750
CORNING GLASS
KOVAR
SILICONE RUBBER, EE-R-765
- FINISHES
CONTACT TO BE HARD GOLD PLATE,
ALL OTHER METAL PARTS
TO BE TR-5.
- ELECTRICAL CHARACTERISTICS:
VOLTAGE RATING: 5000 VOLTS DC
3500 VOLTS RMS
LEAKAGE RATING:
10⁻⁷ CC/SEC OF TRACER GAS
AT ATMOSPHERIC PRESSURE
TEST VOLTAGE:
10000 VOLTS DC
5000 VOLTS RMS



MOUNTING HOLE

UNLESS OTHERWISE SPECIFIED:

- TOLERANCES: FRACTIONS & 2 PLACE DECIMALS ± .010
3 PLACE DECIMALS ± .004
ANGLES ± 0° 30'
- REMOVE ALL BURRS. BREAK SHARP EDGES .005 MAX.
- NO FILLETS PERMITTED.
- SURFACE ROUGHNESS 63 MICROINCHES RMS MAX.
- ALL DIMENSIONS PRIOR TO PLATING.

ITEM	REQ'D	DESCRIPTION	PART NO.
------	-------	-------------	----------

USED ON:	
REP:	
FINISH	
SPEC. KER 1000A	
MATL.	
SPEC.	
SHV BULKHEAD ADAPTER (HERM SEAL)	
DRAWN JHP	DATE 10 MAR 77
APPR. AT	DATE 10 MAR 77

KINGS ELECTRONICS
40 MARLBOROUGH ROAD
TUCKAHOE, N. Y. 10707

1709-2

GSDSD