

D

C

B

A

4

3

2

1

4

3

2

1

TECHNICAL DATA

INSULATOR

Glass filled plastic UL94 V0



PLATING

Z = 1 Tin plated (thickness : Ni 0.5µ mini. + Sn 3µ mini.)
Z = 4 Gold plated (thickness : Ni 0.5µ mini. + Flash Au)

MECHANICAL SPECIFICATIONS

Mechanical endurance :
50 operations with tin plated
500 operations with gold plated

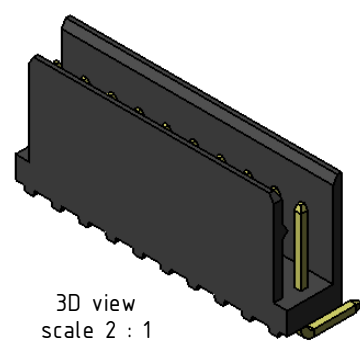
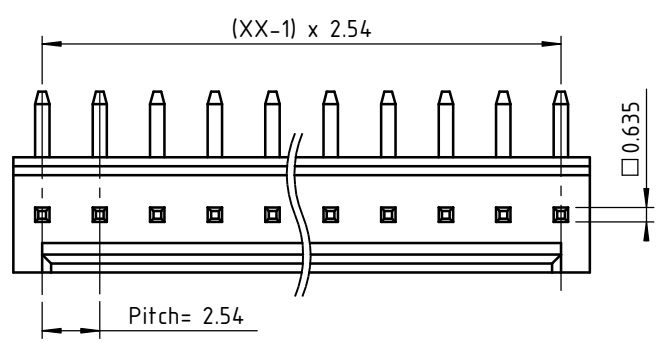
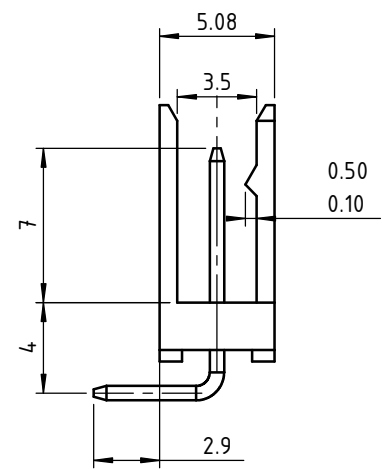
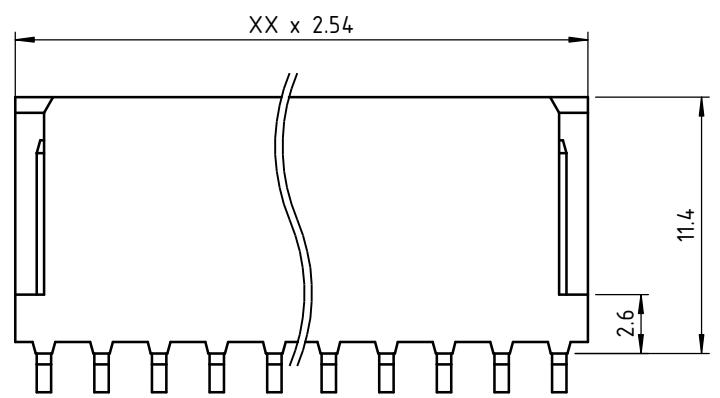
Insertion Force :
3 N max. with tin plated
1.5 N max. with gold plated

ELECTRICAL SPECIFICATIONS

Contact resistance : 20mΩ max.
AC current rating per contact 3A
Min. withstanding voltage 500V RMS
Min. insulator resistance 1000 MΩ

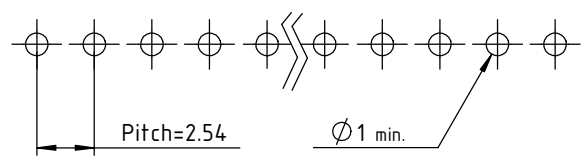
THERMAL SPECIFICATIONS

Connectors operating temperature : -40°C to +150°C



3D view
scale 2 : 1

PCB layout recommended :



XX : Number of pins : 02 to 30

	g	02/10/14	C.B.		V.G.
	Iss	Date	Drawn	Checked	Approved
www.nicomatic.com Mail : nicomatic@nicomatic.fr Tel : +33 (0)4.50.36.13.85		Item : Walled header HE13-HE14 right single row			

This document and drawings, sketches, and schematic drawings are the property of the NICOMATIC company. and no parts thereof may be reproduced and used without the written consent of the owner. Law dated 11.03.1902

Catalogue Reference : 1Y-10-2Z1-XX-1

	General tolerance	±0.2	Scale	3:1	Page	1/1
--	-------------------	------	-------	-----	------	-----

D

A4