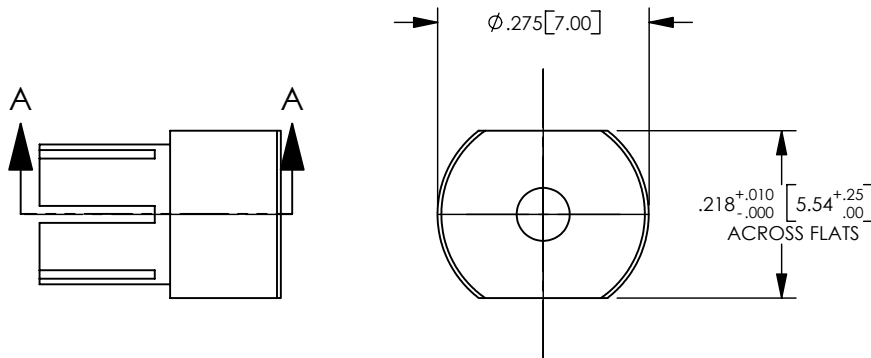
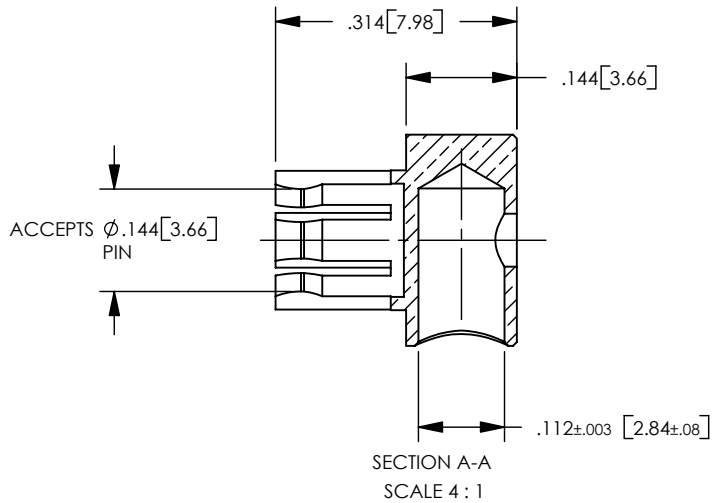
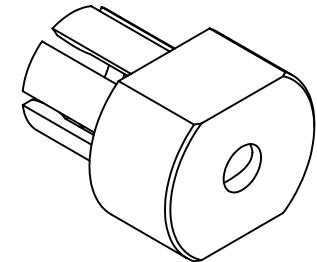


NOTES: UNLESS OTHERWISE SPECIFIED

1. MATERIAL SPECIFICATIONS:
BODY: B05 PER UNS 53800
2. FINISH SPECIFICATIONS:
BODY: .000030 MIN. GOLD PER MIL-G-45204 OVER
.000050 MIN. NICKEL PER QQ-N-290.
3. FOR USE WITH 12 GA OR EQUIVALENT WIRE.

REV	DESCRIPTION	BY DATE	APPD
A	RELEASED ECR8794	CWB 01/16/06	LMD



CATALOG P/N: 01375 SHOWN

PER ASME Y14.5M-1994 UNLESS OTHERWISE SPECIFIED: DIMENSIONS ARE IN INCHES [MM] TOLERANCES: DECIMAL: .XX ± .01 [0.3] .XXX ± .005 [0.13] .XXXX ± .XXXX ANGLES: ± 2° SCALE: 4:1				NORTHROP GRUMMAN Winchester Electronics 62 Barnes Industrial Road North Wallingford, CT 06492			
CUSTOMER DRAWING							
DRAWN	DATE	APPROVED	DATE	RIGHT ANGLE 30 AMP POWER RECEPTACLE			
CWB	01/16/05	XXX	XX/XX/XX	A	SD01375	SHT 1 OF 1	REV A
APPROVED	DATE	APPROVED	DATE				
LMD	01/16/06	XXX	XX/XX/XX				