

Ce plan est la propriété exclusive de la société NICOMATIC. Il ne peut être reproduit sans son autorisation. Loi du 11.03.1902.
 This document and drawings, sketches, and schematic drawings are the property of the NICOMATIC company.
 and no parts thereof may be reproduced and used without the written consent of the owner. Law dated 11.03.1902

Future reference catalogue: 1L-10-5Y1-nn-1-P

TECHNICAL DATA



INSULATOR:
Glass filled plastic UL94 V0

PIN MATERIAL:
Phosphor Bronze

PLATING

Y = 1 Tin plated (Contact areas and solder areas with Ni 1.25µm mini. + Sn 3µm mini)
 Y = 3 Selective Gold plated (Contact areas with Ni 1.25µm mini. + Flash Au 0.1µm mini. Solder areas with Ni 1.25µm mini + Sn 3µm mini.)
 Y = 4 Gold plated (Contact areas and solder areas with Ni 1.25µm mini. + Flash Au 0.1µm mini)

MECHANICAL SPECIFICATIONS

Mechanical endurance :
50 operations with tin plated
500 operations with gold plated

Insertion Force :
3 N max. with tin plated
1.5 N max. with gold plated

ELECTRICAL SPECIFICATIONS

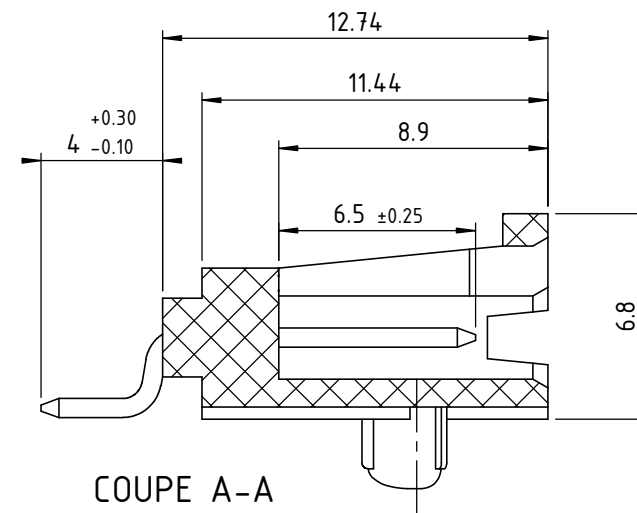
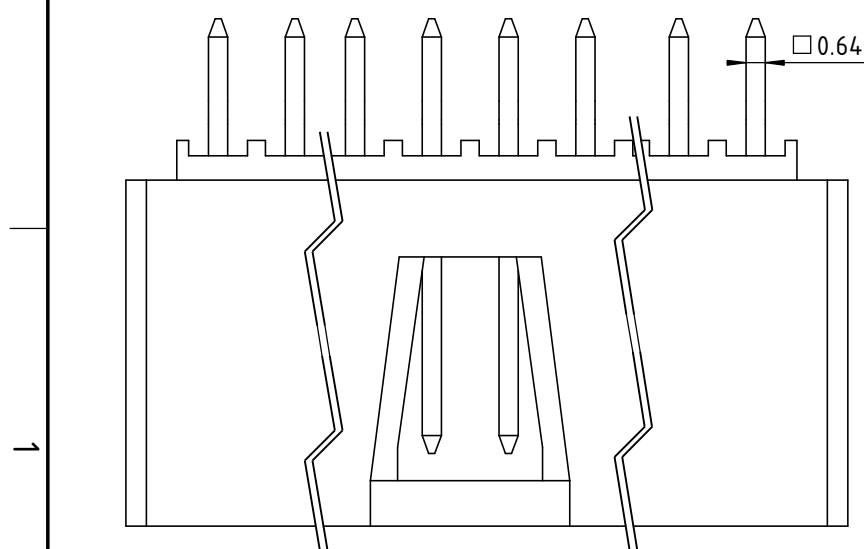
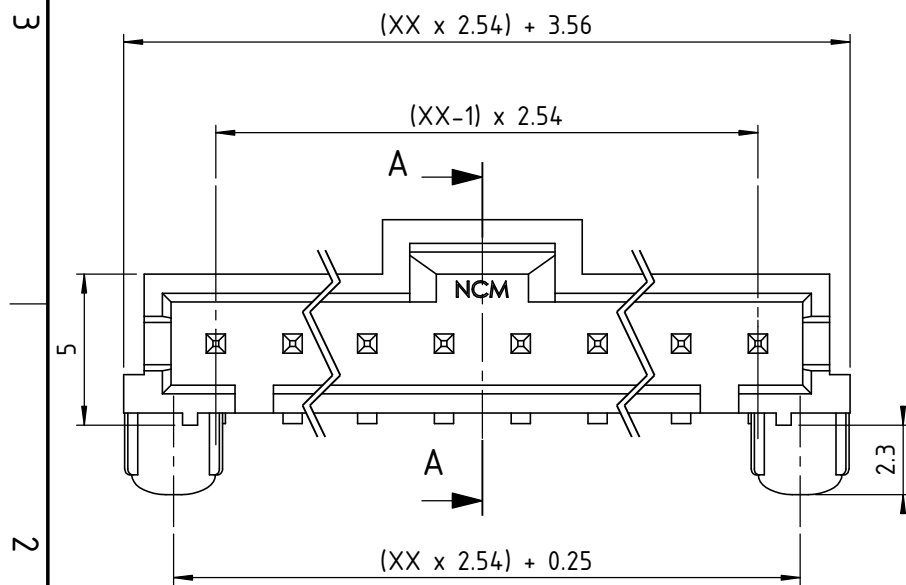
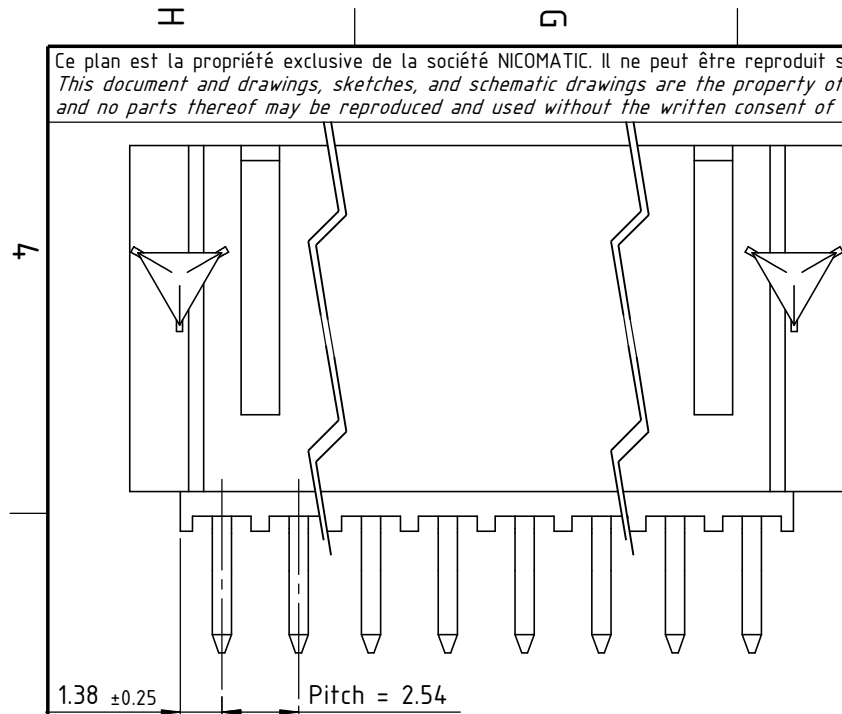
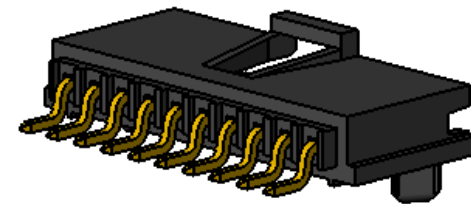
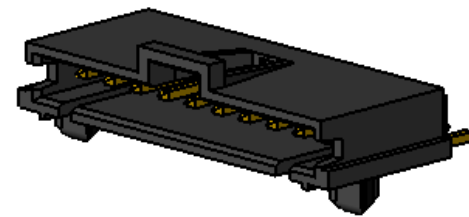
Contact resistance : 20mΩ max.
 Current rating per contact 3A
 Min. withstanding voltage 500V RMS
 Min. insulator resistance 1000 MΩ

THERMAL SPECIFICATIONS

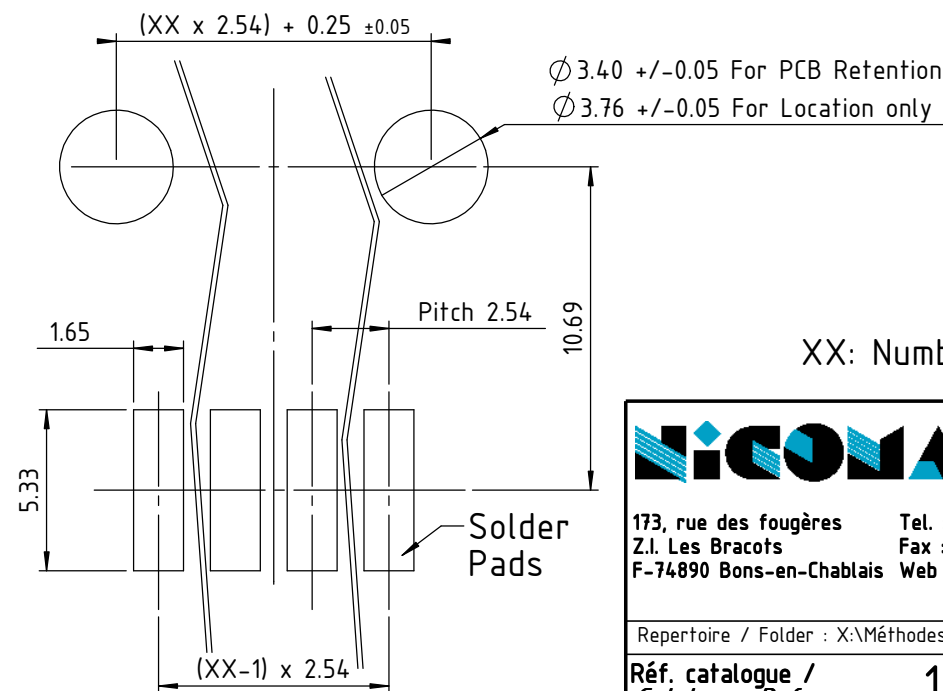
Connectors operating temperature : -40°C to +105°C
 Reflow solder process compatible

Code correspond :

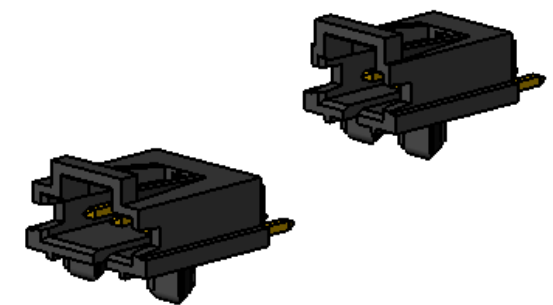
- * 1L : Male connector with locking system
- * 10 : Simple row.
- * 5 : 90° SMT (R type).
- * Y1 : Plating (See Technical data) and pitch (2.54mm).
- * nn : Number of pins 02 ≤ nn ≤ 20.
- * 1 : Material of insulator (See Technical data)
- * P : Connector with pegs for PCB retention or location.



Recommended PCB Layout:



XX: Number of points: 02 to 20 pts



		b	23/01/13	C.B.	J.R.	A.V.
		Ind	Date	Drawn	Checked	Approved
Désignation :		Connecteur HE13/HE14 SMT				
Designation :		Male HE13/HE14 Connector SMT				
Repertoire / Folder : X:\Méthodes\Plans clients\Plans clients 2D\31 - Connecteurs et dérivés HE13-HE14\03-Connecteurs\1L-10-5Y1-XX-1-P_cl						
Réf. catalogue / Catalogue Reference		1L-10-5Y1-XX-1-P			Tolérance générale / General tolerance	
				±0.2	Page 1/1	A3