



TM

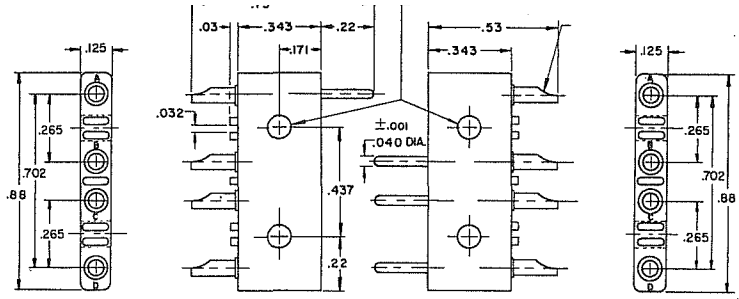
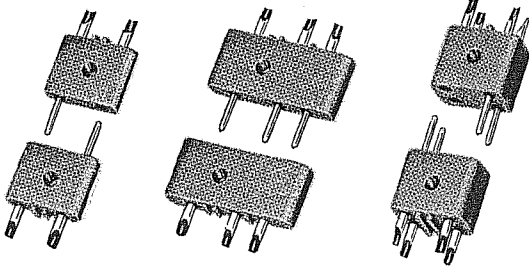
**Contact a Winchester Interconnect sales representative for your
Micro Miniature Connectors and Self Aligning Contacts**

While the information in this publication is believed to be accurate and reliable, all data presented is subject to change without notice. Winchester Interconnect disclaims responsibility for any damages resulting from application or any incompleteness or inaccuracies in the information presented. Consult factory for specific information on the latest design specifications.

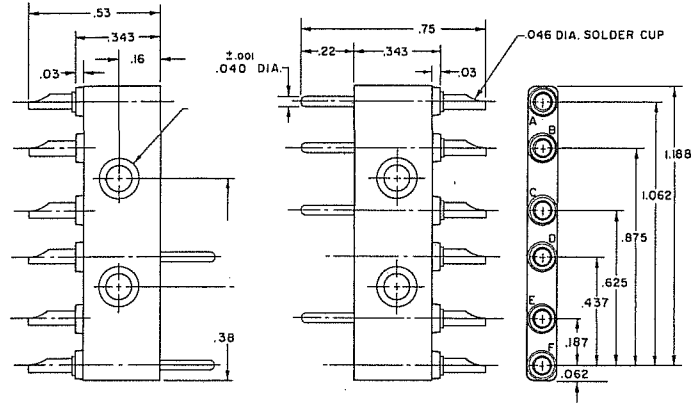
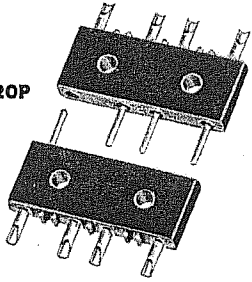
G-20 Miniature Connectors

G2 - 20P

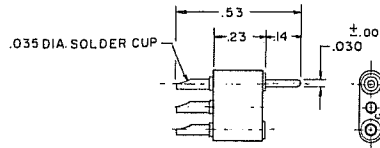
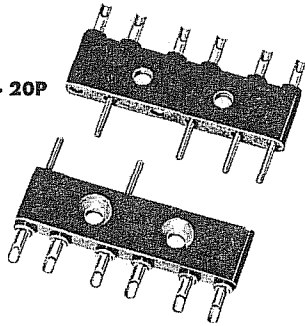
G4 - 20P



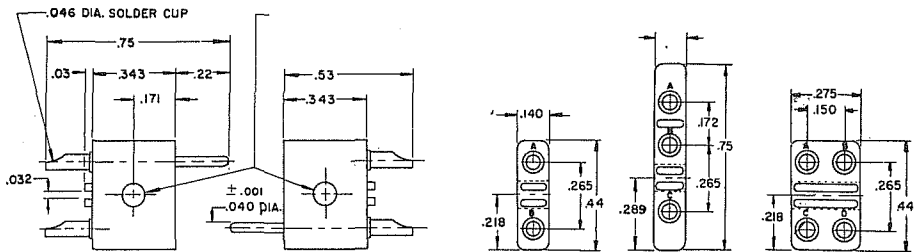
GX4 - 20P



GX6 - 20P



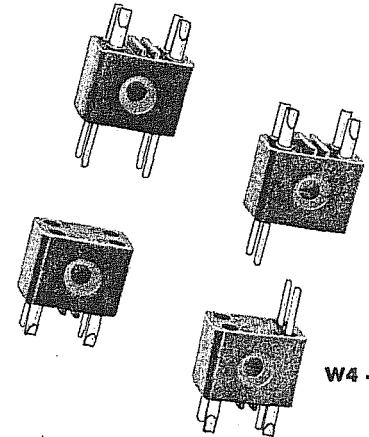
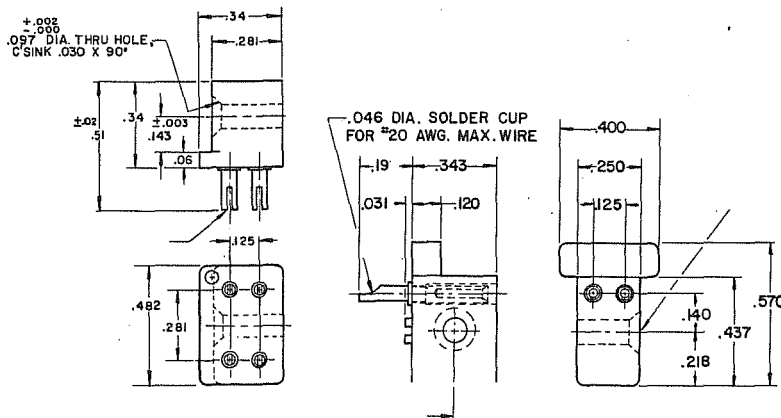
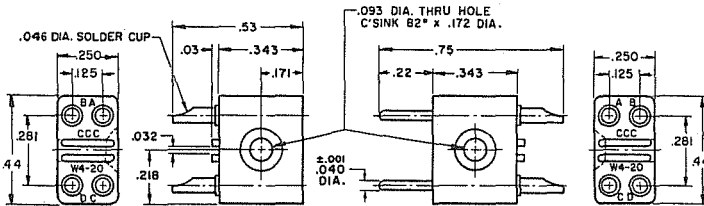
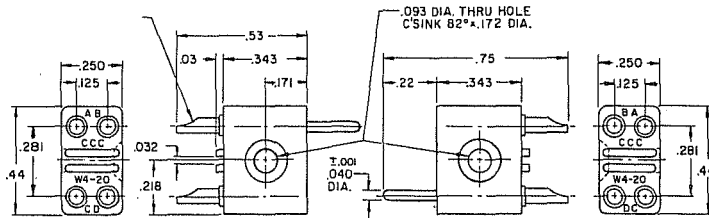
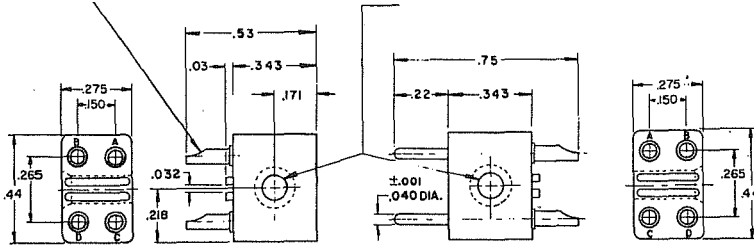
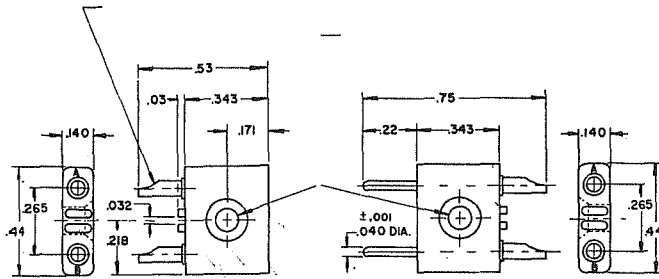
The unique, reverse pin and socket connectors are designed for use in small areas, and are available with 2, 3, 4, and 6 contacts. The moldings have one or two holes for convenient, save saving side mounting.



NOTES

Pin contacts are brass, gold plated. Socket contacts are gold plated phosphor bronze. Standard body material is mineral filled Melamine Type MME per MIL-M-14 specifications.

G-20 Miniature Connectors



W4 - 20S

ELECTRICAL AND MECHANICAL RATINGS

Voltage Ratings:	Breakdown	Test
Pin-to-Chassis		
At Sea Level	1450V. RMS	950V. RMS
At 70,000 Ft.	450V. RMS	300V. RMS
Contact-to-Contact		
At Sea Level	3500V. RMS	2300V. RMS
At 70,000 Ft.	650V. RMS	425V. RMS

Current Rating:

5 Amps Continuous 7.5 Amps Max.
 Minimum Creepage Between Contacts125"
 Minimum Air Space Between Contacts093"
 Contacts, Center-to-Center150"
 Solder Cup #20 AWG Wire